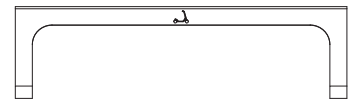
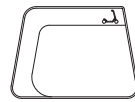




# J\_Series

## J\_07 Scooter Rack



### MATERIALS

Stainless Steel

FSC Hardwood Timber

### DIMENSIONS

350 High

480 Deep

1265 Wide

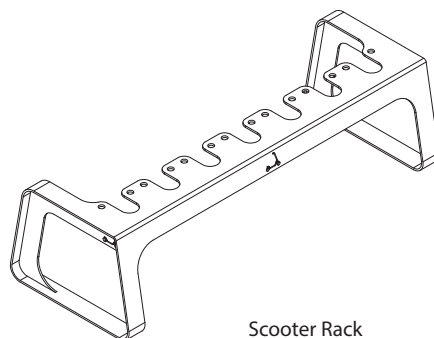
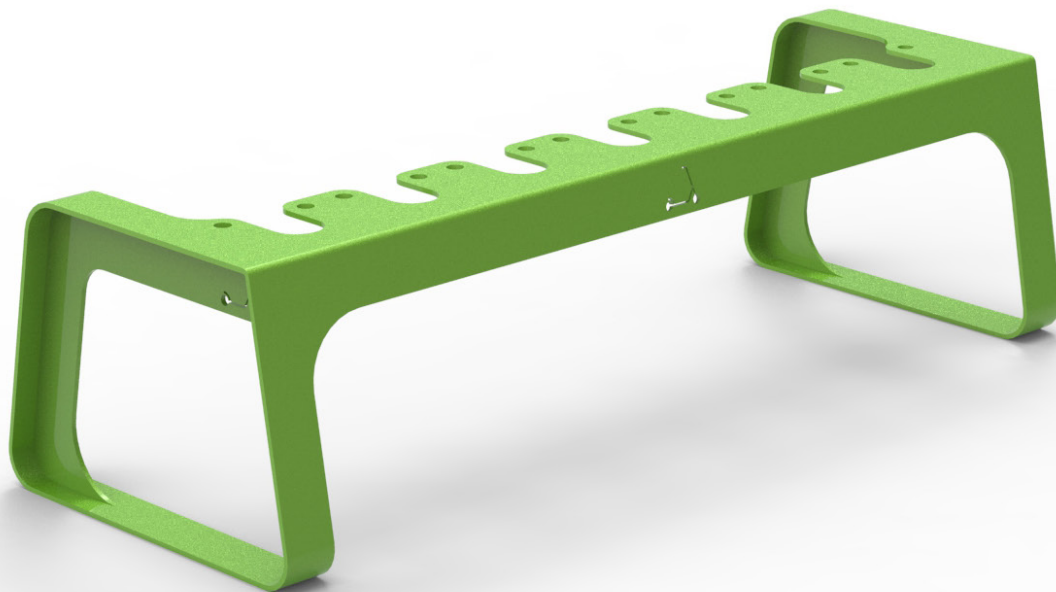
### OPTIONS

Material Type & Finish

Finish to Framework - SS / Powder Coat / Paint

Surface mount

Sub-Surface mounting



Scooter Rack